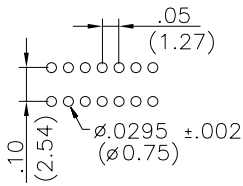
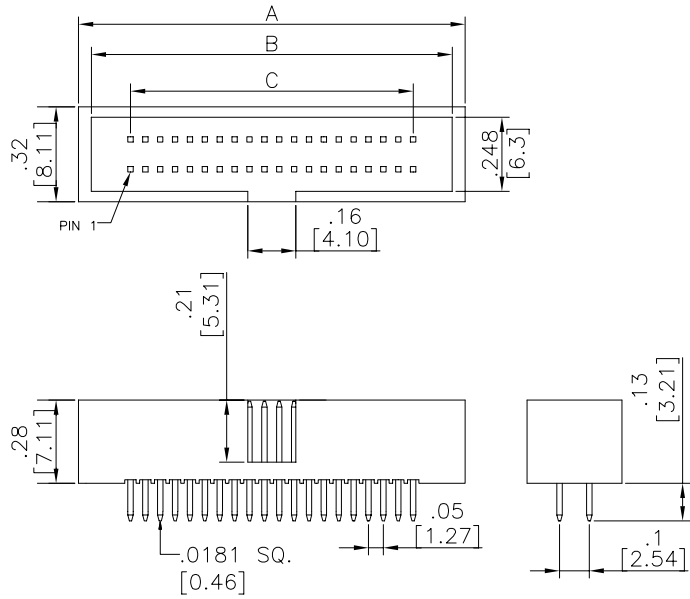


# Major League Electronics .050" cl x .100" cl Shrouded Header

PINS PER ROW	A	B	C
5	0.549 [13.95]	0.462 [11.75]	.200 [5.08]
7	0.649 [16.49]	0.563 [14.29]	.300 [7.62]
8	0.699 [17.76]	0.605 [15.36]	.350 [8.89]
10	0.799 [20.30]	0.713 [18.10]	.500 [11.43]
23	0.949 [24.11]	0.863 [21.91]	.600 [15.24]
15	1.049 [26.65]	0.963 [24.45]	.700 [17.78]
17	1.149 [29.19]	1.063 [26.99]	.800 [20.32]
20	1.299 [33.00]	1.213 [30.80]	.950 [24.13]
25	1.549 [39.35]	1.463 [37.15]	1.200 [30.48]
30	1.799 [45.70]	1.713 [43.50]	1.450 [36.83]
34	1.999 [50.78]	1.913 [48.58]	1.650 [41.91]
35	2.049 [52.05]	1.963 [49.85]	1.700 [43.18]
40	2.299 [58.40]	2.213 [56.20]	1.950 [49.53]
45	2.549 [64.75]	2.463 [62.55]	2.200 [55.88]
50	2.799 [71.10]	2.713 [68.90]	2.450 [62.23]



RECOMMENDED PCB LAYOUT

Tails may be clipped to achieve desired pin length

## Ordering Information

SHTS-6 [XX] - D - 02 - [XX] - [XXX] - LF

Pins Per Row  
05, 07, 08, 10, 13, 15, 17, 20, 25, 30  
34, 35, 40, 45, 50

Double

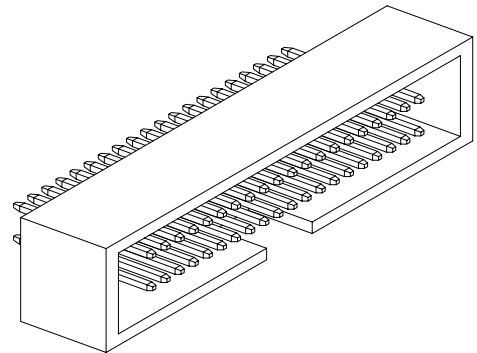
Style  
02 = Tail Length .126 (3.2mm)

Lead Free

Polarized Position  
010 - 100  
Leave blank if not needed

Plating Options	
- 10μ Gold on Contact area/Flash on Tail	GT
- 3μ Selective Gold	FT
- Matte Tin all Over	T
- Gold Flash Over Entire Pin	F

Standard plating = FT



Mates with:  
IDS-6

Insulator	PBT, glass reinforced, rated UL 94V-0	Current Rating	1 Amp
Contact	Phosphor Bronze	Dielectric Withstanding	250V AC for one minute
Insulation Resistance	1000 MOHMS min.	Operating Temperature	-40°C to +105°C
Contact Resistance	30 mOHMSmax.		

Products cut to specific sizes are uncancellable/nonreturnable

Parts are subject to change without notice

SHTS-6 SERIES

.050" cl x .100" cl Shrouded Header  
Straight

23 APR 07

Scale  
NTS

UNLESS OTHERWISE SPECIFIED  
DIMENSIONS IN INCHES (MM)  
TOLERANCES ARE:

ONE PLACE DECIMALS ±.100  
TWO PLACE DECIMALS ±.010  
THREE PLACE DECIMALS ±.005  
FOUR PLACE DECIMALS ±.002



4235 Earnings Way, New Albany, Indiana, 47150, USA  
1-800-782-3486 (USA/Canada/Mexico)

Tel: 812-944-7244  
Fax: 812-944-7268

E-mail: mle@mlelectronics.com  
Web: www.mlelectronics.com

Edition  
1

Sheet  
1/1